

MICROSWITCH
a Honeywell Division

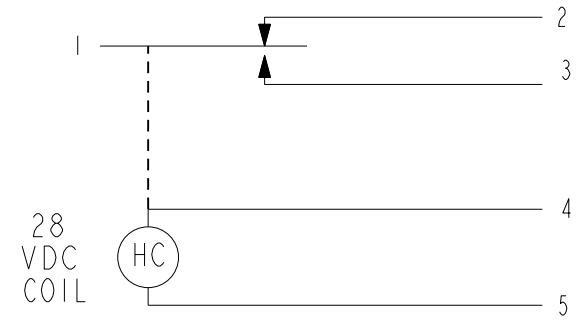
FED. MFG. CODE 91929

**SWITCH - TOGGLE
(MAGNETIC HOLD-IN)**

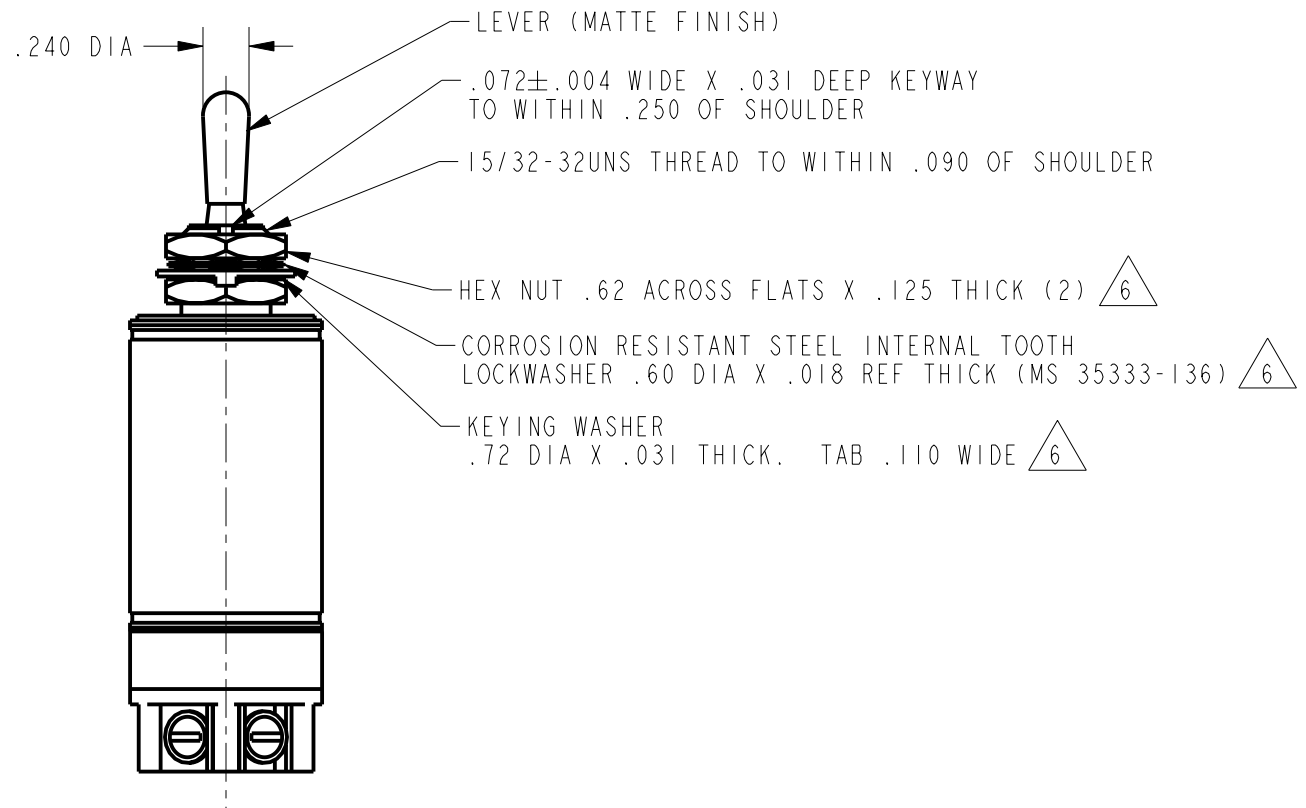
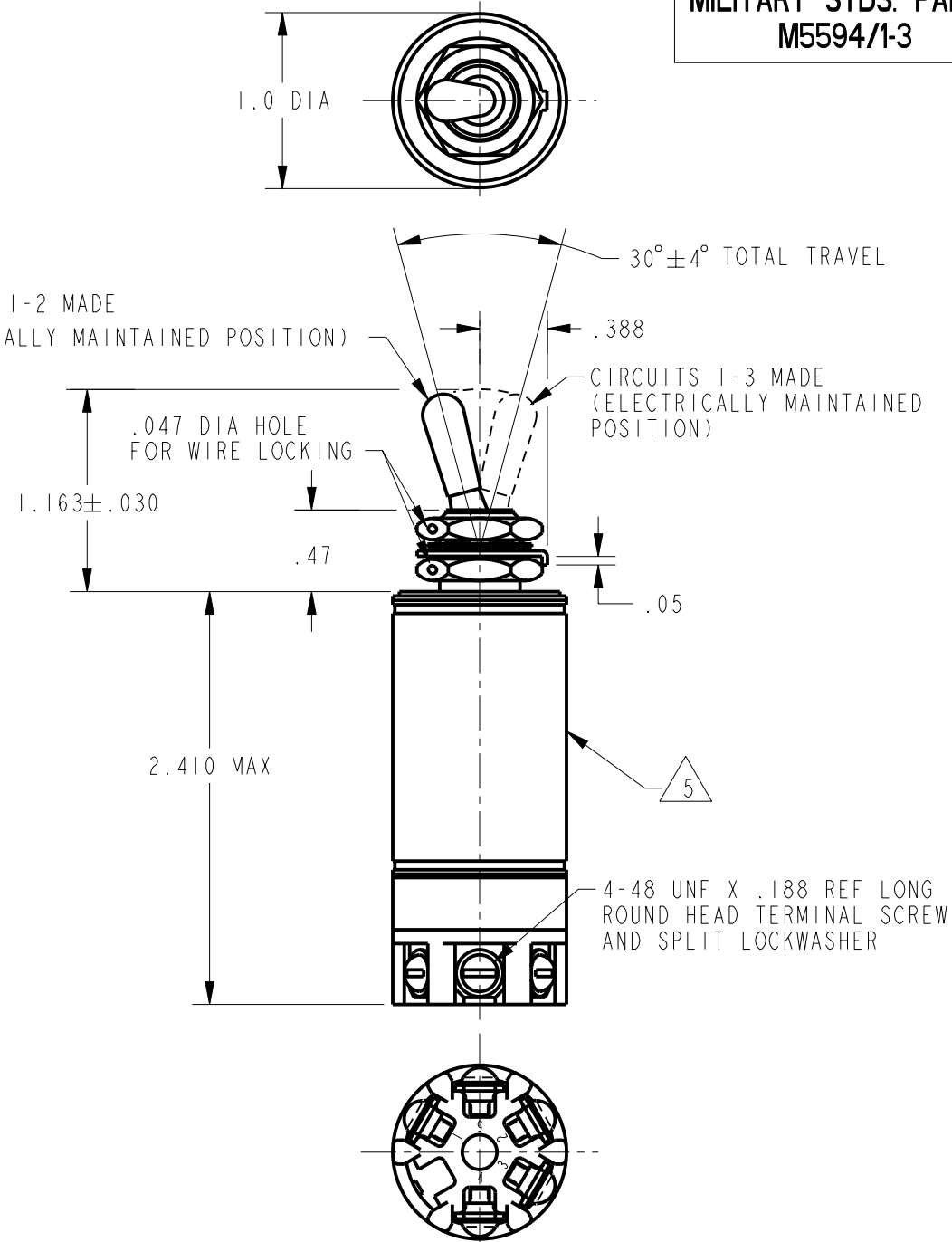
CATALOG LISTING

25ET61-S

**MILITARY STDS. PART NO.
M5594/1-3**



CIRCUIT DIAGRAM
(MECHANICALLY MAINTAINED POSITION)



CATALOG LISTING
 25ET61-S
 PAGE 1 OF 1
 ISSUE 8
 REVISIONS
 A 205709
 CSL
 31 MAY 02
 PTC/CAD 2D
 DRAWN
 C S L 31 MAY 02
 CHECK
 SAV 31 MAY 02
 CHECK
 MAY 02
 CHECK
 REPLACES
 RELEASE NO. PR-4179

THIS DRAWING COVERS A PROPRIETARY ITEM AND IS THE PROPERTY OF MICRO SWITCH, A DIVISION OF HONEYWELL. THIS DRAWING IS NOT TO BE COPIED OR USED WITHOUT THE APPROVAL OF MICRO SWITCH

CHARACTERISTICS	
SOLENOID RATING AT 20°C	
STEADY STATE LIMITS	20-29 VDC
HOLD IN	10 VDC
DROP OUT	0-10 VDC
COIL RESISTANCE	220 OHM MIN
OPERATING FORCE	7 LBS MAX
OVERRIDE FORCE AT 29 VDC	10 LBS MAX

ELECTRICAL DATA	
CONTACT ARRANGEMENT S P D T	
VOLTAGE	RATINGS IN AMPHERES
	SEA LEVEL 65,000 FT
28 VOLTS DC	INRUSH RES IND MOTOR
	4 3 4 4 2.5 4

THIRD ANGLE PROJECTION	
SCALE	FULL
DO NOT SCALE PRINT	
UNLESS OTHERWISE SPECIFIED TOLERANCES ARE	
ONE PLACE	(.0) ±.030
TWO PLACE	(.00) ±.015
THREE PLACE	(.000) ±.005
ANGLES	±
WEIGHT	4.0 OZ MAX

- NOTES
- 1 - EXPOSED PARTS ARE OF CORROSION RESISTANT MATERIAL OR ARE SUITABLY PROTECTED TO PREVENT CORROSION, ENCLOSURE FINISHED WITH BLUE EPOXY BASED ENAMEL COLOR NO. 25184 PER FEDERAL STANDARD 595
 - 2 - SWITCH SEALED PER MIL-S-5594
 - 3 - HOLD IN VOLTAGE: THE MINIMUM SPECIFIED VOLTAGE AT WHICH THE LEVER WILL REMAIN ACTUATED. HOLD IN MAY OCCUR AT A LOWER VALUE. DROP OUT VOLTAGE: THE VOLTAGE RANGE IN WHICH THE LEVER WILL BE RELEASED
 - 4 - CIRCUITS CAN BE TRANSFERRED MANUALLY. ENERGIZING THE COIL WILL NOT CAUSE TRANSFER OF CIRCUITS
 - 5 - CIRCUIT IDENTIFICATION IS SHOWN ON SWITCH
 - 6 - HARDWARE MAY BE FURNISHED UNASSEMBLED PER MIL-S-5594

ANSI Y14.5M-1982 APPLIES